



# D815 Tessmann Worlds Edition

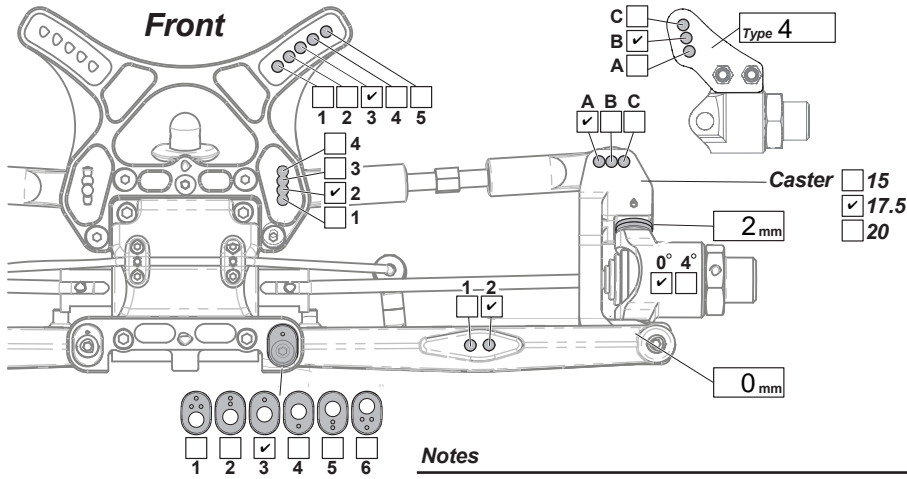
Driver Ty Tessmann

Date May 29-31

Track Silver Dollar Raceway

Event Sworkz Challenge

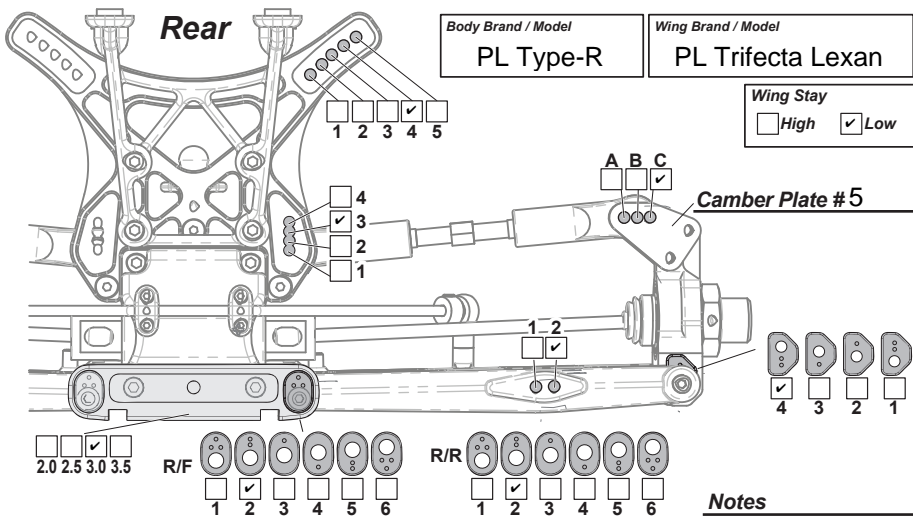
Track Condition Big jumps, smooth, hard packed, medium grip, polished, very abrasive.



Ride Height	27 mm
Camber Angle	-1°
Toe Angle	.5 out°
Sway Bar	2.2 mm
Shock Length	107 mm

Front Shocks	
Oil weight	Losi 37.5 wt
Piston	6x1.3 mm
Bladder	Bellows
Spring	Yellow

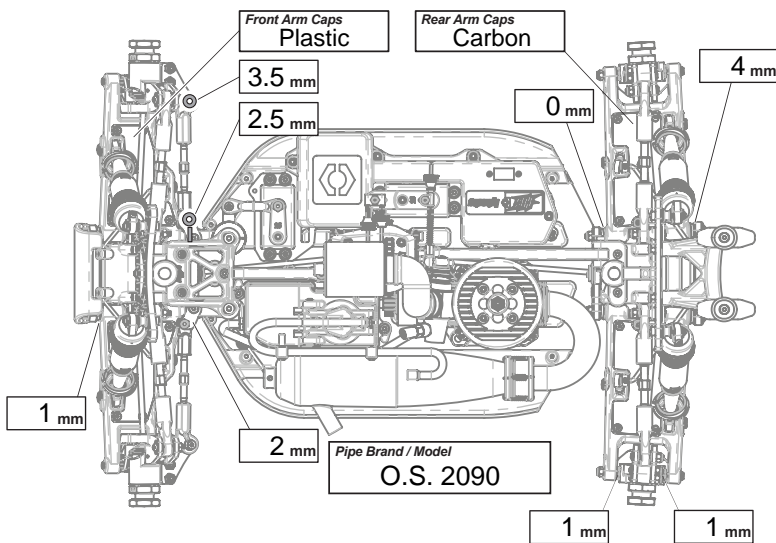
Notes



Ride Height	27 mm
Camber Angle	-1°
Sway Bar	2.4 mm
Shock Length	124 mm

Rear Shocks	
Oil weight	Losi 32.5 wt
Piston	6x1.3 mm
Bladder	Bellows
Spring	Blue

Notes



Engine	
Brand	O.S. Speed 2101
Spur gear	Clutch Bell
48	13
Clutch Shoes	Stock Aluminum
Clutch Springs	2x1.0 / 1x1.1
Glow Plug	O.S. P3
Glow Fuel	VP 25%

Tires	Front	Rear
Brand	Proline	Fugitive
Compound	X compound	-----
Insert	Closed	Cell
Wheel	Proline	-----
Notes		

Diff Oils			
	Front	Center	Rear
Brand	Losi	Losi	Losi
Oil Weight / Grade	10K	5K	3K

Notes Diffs 100% full.