



D815 Tessmann Worlds Edition

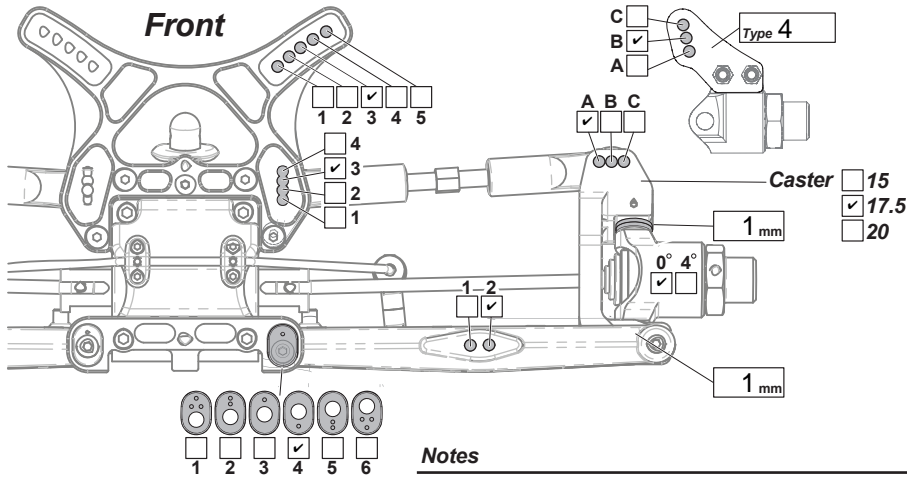
Driver Ty Tessmann

Date March 2015

Track RC Tracks Las Vegas

Event 2015 Silver State

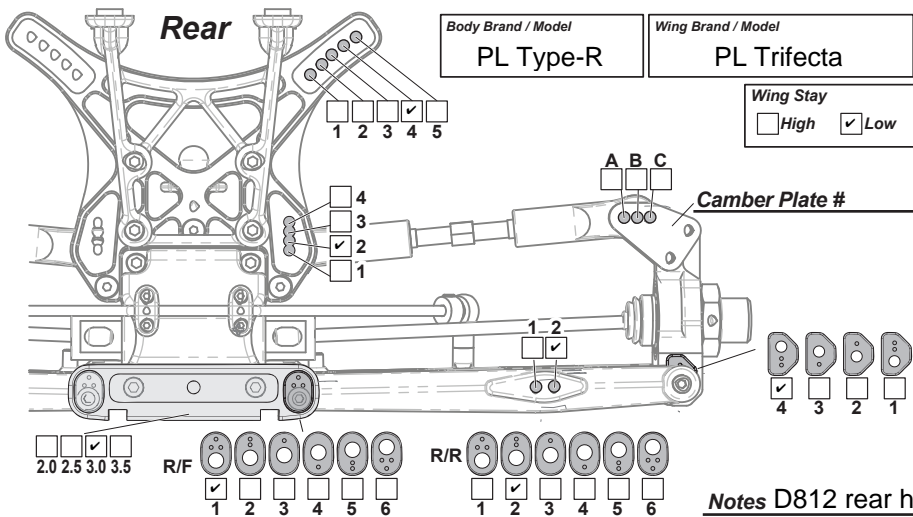
Track Condition Sandy, Blown out, Sharp ruts, Low bite, Open, Wet and dry, polished spots.



Ride Height	27 mm
Camber Angle	-2 °
Toe Angle	.5 out °
Sway Bar	2.2 mm
Shock Length	107 mm

Front Shocks	
Oil weight	Losi 40 wt
Piston	8X1.3 mm
Bladder	Stock
Spring	Yellow

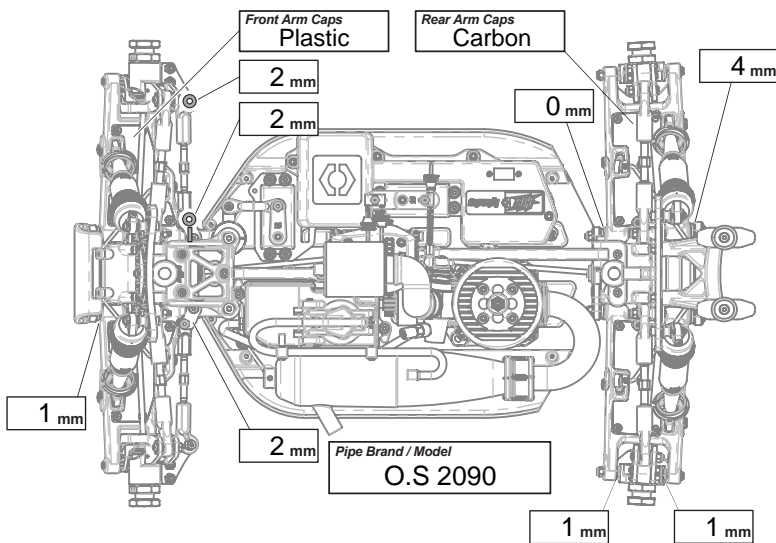
Notes



Ride Height	27 mm
Camber Angle	-2 °
Sway Bar	2.4 mm
Shock Length	124 mm

Rear Shocks	
Oil weight	Losi 35 wt
Piston	8X1.3 mm
Bladder	Stock
Spring	Blue

Notes D812 rear hubs and Vorza dog bones in rear



Notes Diffs 100% full.

Engine	
Brand	O.S 2101B
Spur gear	Clutch Bell
48	13
Clutch Shoes	3 Aluminum
Clutch Springs	2X1.1/1x1.0
Glow Plug	O.S P3
Glow Fuel	VP Fuels

Tires	Front	Rear
Brand	PL Suppressor	-----
Compound	M3	M3
Insert	PL Closed	Cell
Wheel	Proline	-----
Notes		

Diff Oils			
	Front	Center	Rear
Brand	Losi	Losi	Losi
Oil Weight / Grade	5K	2K	1K