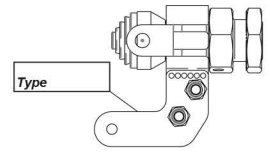
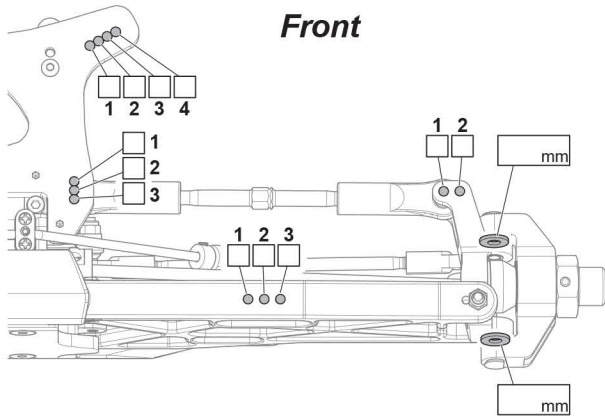


Driver \_\_\_\_\_ Date \_\_\_\_\_ Track \_\_\_\_\_ Event \_\_\_\_\_

**Track Condition**



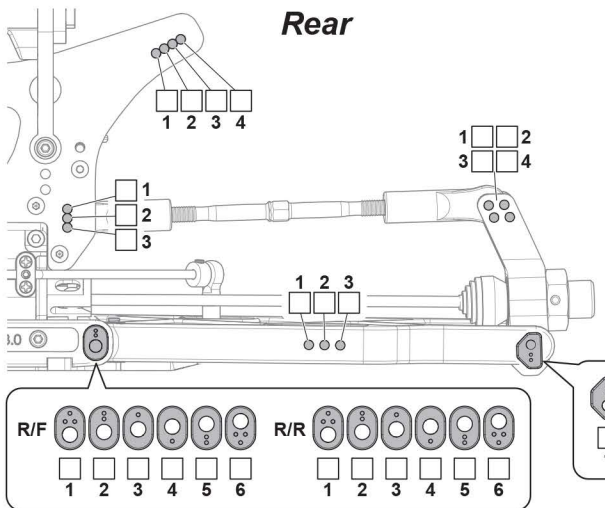
Body Brand \_\_\_\_\_  
Body Model \_\_\_\_\_

Ride Height \_\_\_\_\_ mm  
Camber Angle \_\_\_\_\_ °  
Toe Angle \_\_\_\_\_ °  
Sway Bar \_\_\_\_\_ mm  
Shock Length \_\_\_\_\_ mm

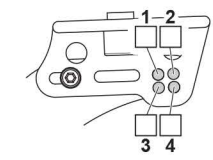
**Front Shocks**

Oil weight \_\_\_\_\_ wt  
Piston \_\_\_\_\_ mm  
Bladder \_\_\_\_\_  
Spring \_\_\_\_\_

**Notes**



Wing Brand \_\_\_\_\_  
Wing Model \_\_\_\_\_

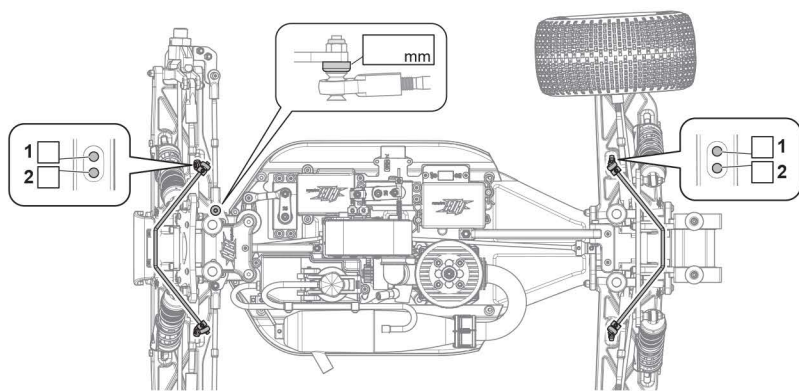


Ride Height \_\_\_\_\_ mm  
Camber Angle \_\_\_\_\_ °  
Sway Bar \_\_\_\_\_ mm  
Shock Length \_\_\_\_\_ mm

**Rear Shocks**

Oil weight \_\_\_\_\_ wt  
Piston \_\_\_\_\_ mm  
Bladder \_\_\_\_\_  
Spring \_\_\_\_\_

**Notes**



**Engine**

Brand \_\_\_\_\_  
Spur gear \_\_\_\_\_ Clutch Bell \_\_\_\_\_  
Clutch Shoes \_\_\_\_\_  
Clutch Springs \_\_\_\_\_  
Glow Plug \_\_\_\_\_  
Glow Fuel \_\_\_\_\_

Tires	Front	Rear
Brand	_____	_____
Compound	_____	_____
Insert	_____	_____
Wheel	_____	_____
Notes	_____	_____

**Notes**

**Diff Oils**

	Front	Center	Rear
Brand	_____	_____	_____
Oil Weight / Grade	_____	_____	_____