



D8T Tessmann Edition Pro Sheet

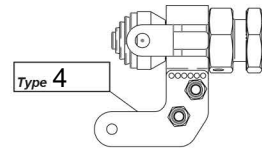
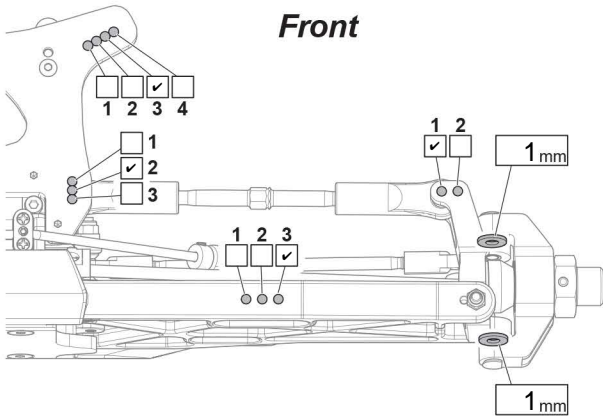
Driver Ty Tessmann

Date March 2015

Track RC Tracks Las Vegas

Event 2015 Silver State

Track Condition Blown out, dusty, low bite, polished spots, open high speed layout, wet and dry.



Body Brand
Proline

Body Model
ENFORCER

Ride Height 37 mm

Camber Angle -1 °

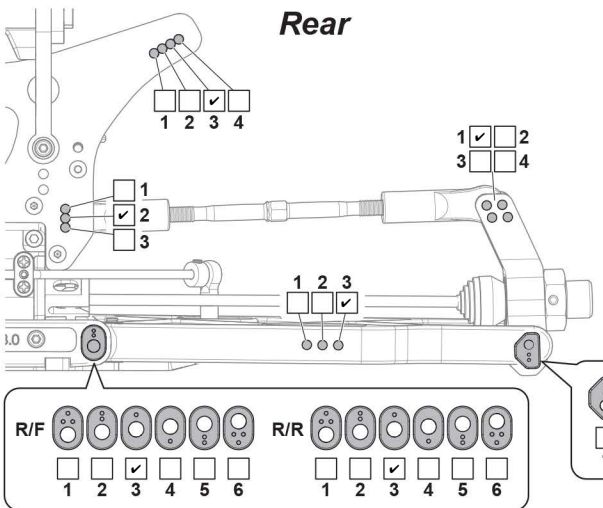
Toe Angle .5 out °

Sway Bar 2.4 mm

Shock Length 114 mm

Front Shocks	
Oil weight	<u>Losi 35 wt</u>
Piston	<u>6X1.3 mm</u>
Bladder	<u>Stock</u>
Spring	<u>Gold</u>

Notes



Wing Brand
Proline

Wing Model
Trifecta lexan

Ride Height 39 mm

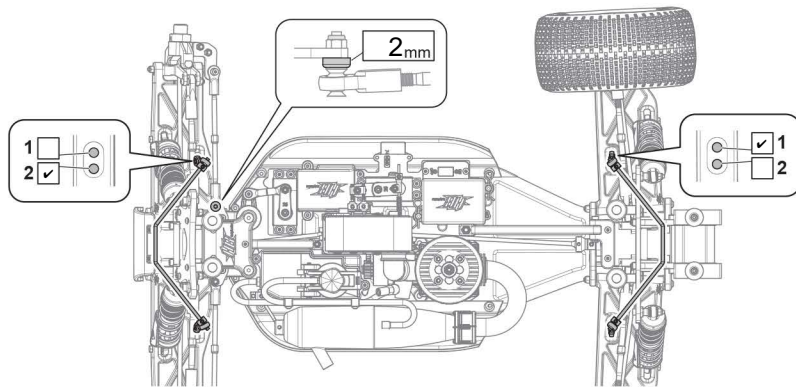
Camber Angle -1 °

Sway Bar 2.6 mm

Shock Length 124 mm

Rear Shocks	
Oil weight	<u>Losi 32.5 wt</u>
Piston	<u>6X1.3 mm</u>
Bladder	<u>Stock</u>
Spring	<u>Orange</u>

Notes



Engine	
Brand	<u>O.S Spec 2</u>
Spur gear	<u>50</u>
Clutch Bell	<u>13</u>
Clutch Shoes	<u>2 plastic / 1 alum</u>
Clutch Springs	<u>3X1.0</u>
Glow Plug	<u>O.S P3</u>
Glow Fuel	<u>VP Fuels</u>

Tires	Front	Rear
Brand	<u>Proline</u>	<u>Holeshot</u>
Compound	<u>X3</u>	<u>X3</u>
Insert	<u>Closed</u>	<u>Cell</u>
Wheel	<u>Proline</u>	<u>-----</u>
Notes		

Notes Diff 100% full

Front shocks 0mm rebound

Rear shocks 0mm rebound

Diff Oils	Front	Center	Rear
	Brand	<u>Losi</u>	<u>Losi</u>
Oil Weight / Grade	<u>7K</u>	<u>10K</u>	<u>3K</u>