



# D8T Tessmann Edition Pro Sheet

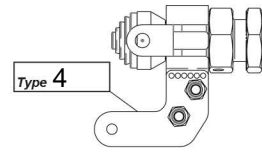
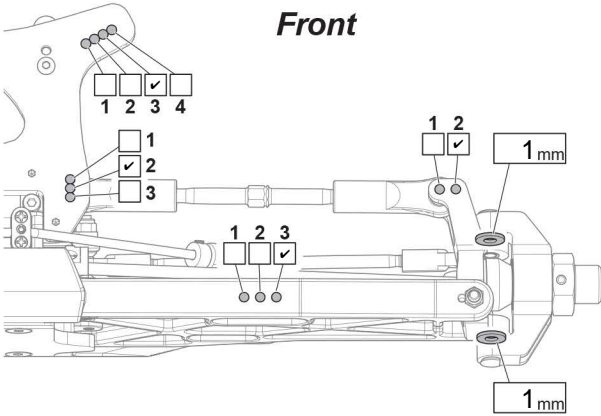
Driver Ty Tessmann

Date June 21/2015

Track Silver Dollar Raceway

Event ROAR Nats

Track Condition Smooth, medium grip, shiny surface, highspeed, with large jumps.



Body Brand  
**Proline**

Body Model  
**Enforcer**

Ride Height 37 mm

Camber Angle -1 °

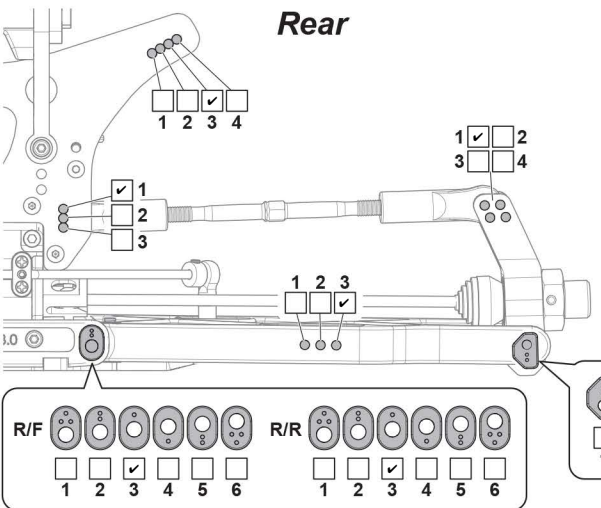
Toe Angle .5 out °

Sway Bar 2.6 mm

Shock Length 114 mm

Front Shocks	
Oil weight	<u>Losi 40 wt</u>
Piston	<u>6X1.3 mm</u>
Bladder	<u>stock</u>
Spring	<u>HB Gold</u>

Notes Avid arm plates



Wing Brand  
**Proline**

Wing Model  
**Lexan**

Ride Height 38 mm

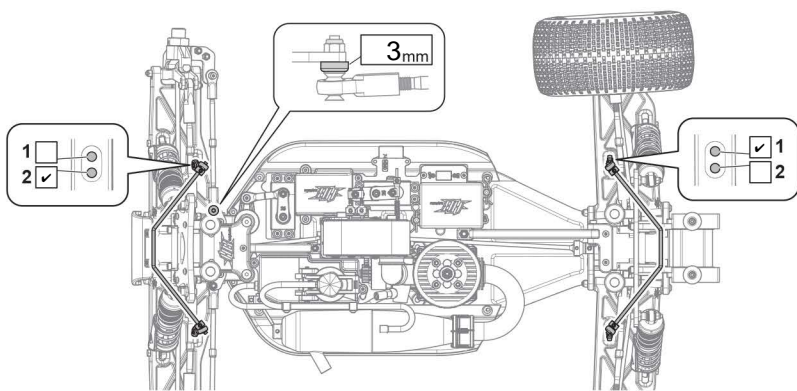
Camber Angle -1 °

Sway Bar 2.8 mm

Shock Length 124 mm

Rear Shocks	
Oil weight	<u>Losi 37.5 wt</u>
Piston	<u>6X1.3 mm</u>
Bladder	<u>stock</u>
Spring	<u>HB Orange</u>

Notes Avid carbon arm plates



Engine	
Brand	<u>O.S. Spec II</u>
Spur gear	<u>50</u>
Clutch Bell	<u>13</u>
Clutch Shoes	<u>2 carbon/ 1 alum</u>
Clutch Springs	<u>stock</u>
Glow Plug	<u>P3</u>
Glow Fuel	<u>VP Tessmann</u>

Tires	Front	Rear
Brand	<u>Proline</u>	<u>Proline</u>
Compound	<u>X1</u>	<u>X1</u>
Insert	<u>PL</u>	<u>PL</u>
Wheel	<u>PL</u>	<u>PL</u>
Notes		

Notes Diffs 100% full

Diff Oils	Front	Center	Rear
	Brand	<u>Losi</u>	<u>Losi</u>
Oil Weight / Grade	<u>7K</u>	<u>10K</u>	<u>3K</u>