



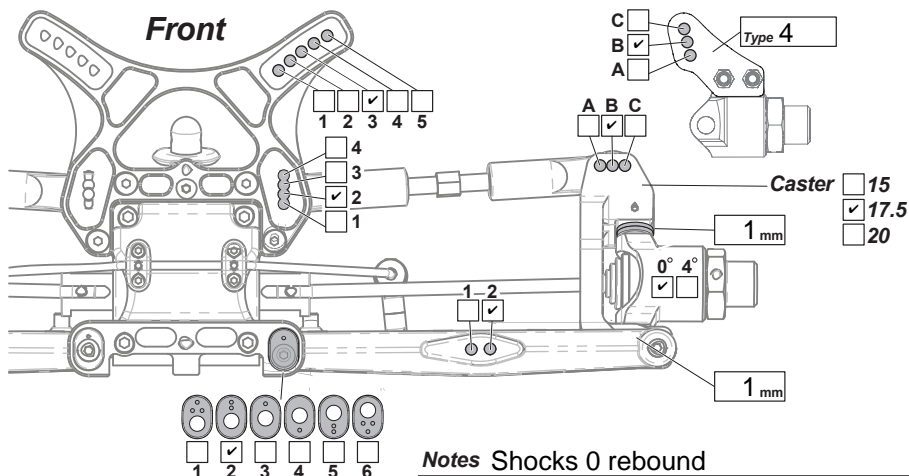
D815 Tessmann Worlds Edition

Driver Ty tessmann

Date May 2/3 2015 Track Thunder Alley

Event Battle of the SIKest

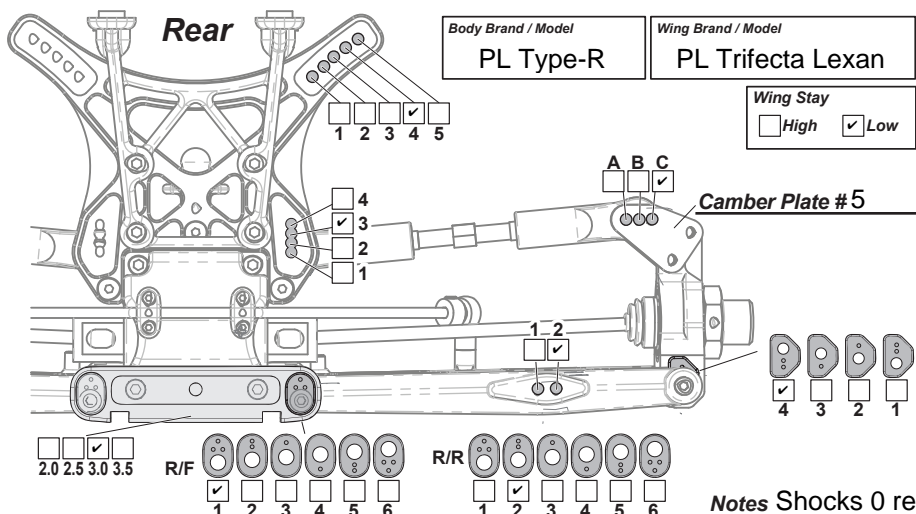
Track Condition Wet, med bite, big jumps, smooth, tight.



Ride Height	28 mm
Camber Angle	-0.5°
Toe Angle	0°
Sway Bar	2.2 mm
Shock Length	107 mm

Front Shocks	
Oil weight	32.5 wt
Piston	6x1.3 mm
Bladder	stock
Spring	yellow

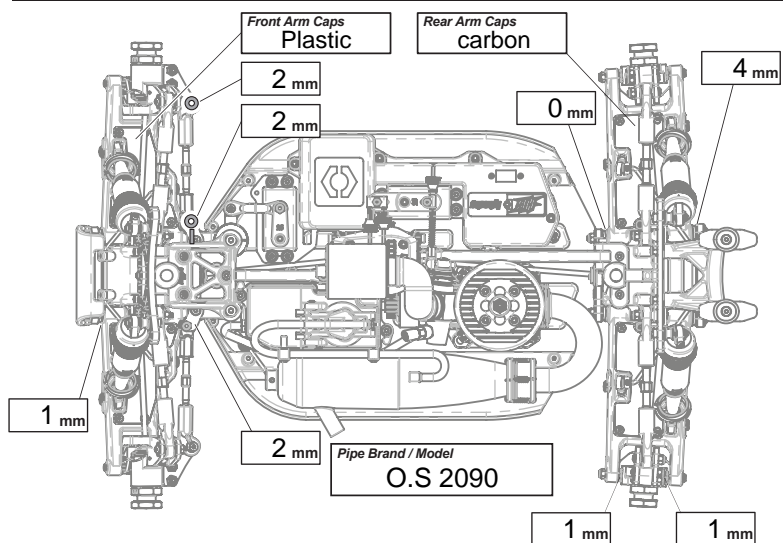
Notes Shocks 0 rebound



Ride Height	28 mm
Camber Angle	-0.5°
Sway Bar	2.4 mm
Shock Length	124 mm

Rear Shocks	
Oil weight	27.5 wt
Piston	6x1.3 mm
Bladder	Stock
Spring	Blue

Notes Shocks 0 rebound



Engine	
Brand	O.S SPEED
Spur gear	Clutch Bell
48	13
Clutch Shoes	
Stock Aluminum	
Clutch Springs	
2x1.0/1x1.1	
Glow Plug	
O.S P3	
Glow Fuel	
VP 25%	

Tires	Front	Rear
Brand	PL Holeshot	-----
Compound	X3	X3
Insert	Closed	Cell
Wheel	Proline	-----
Notes		

	Front	Center	Rear
Brand	Losi	Losi	Losi
Oil Weight / Grade	4K	4K	2K

Notes Diffs 100% full, Arm Plates Glued in.